

GREAT SEQUOIA CORP.

3F, NO. 57, FU-HSING NORTH ROAD, TAIPEI, TAIWAN

TEL: 886-2--2771-0164

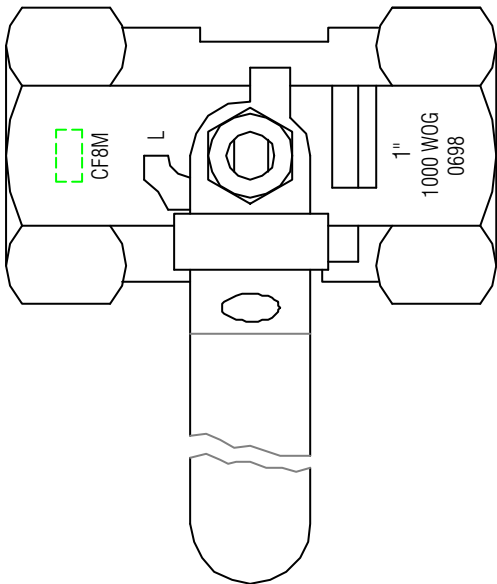
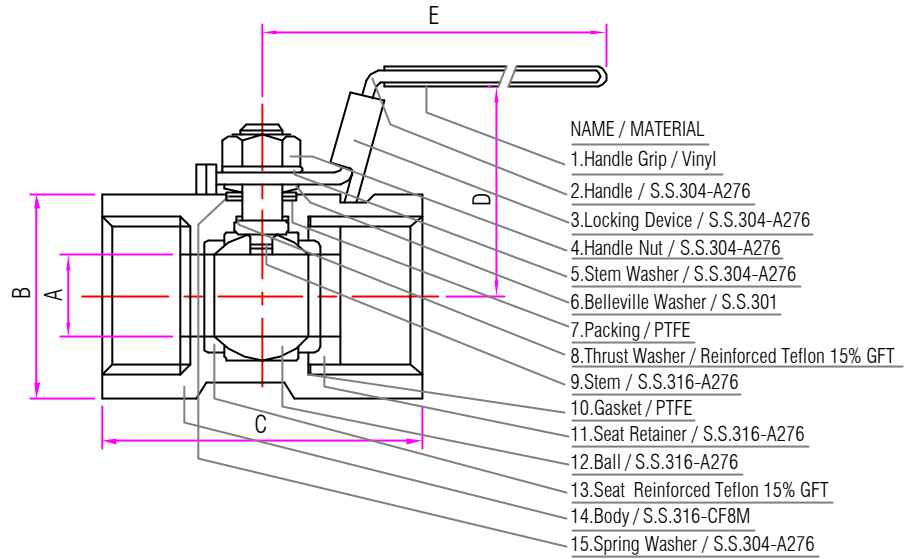
FAX: 886-2--2773-3342

Website: www.sequoia.com.tw

E-MAIL: sequoia@ms10.hinet.net

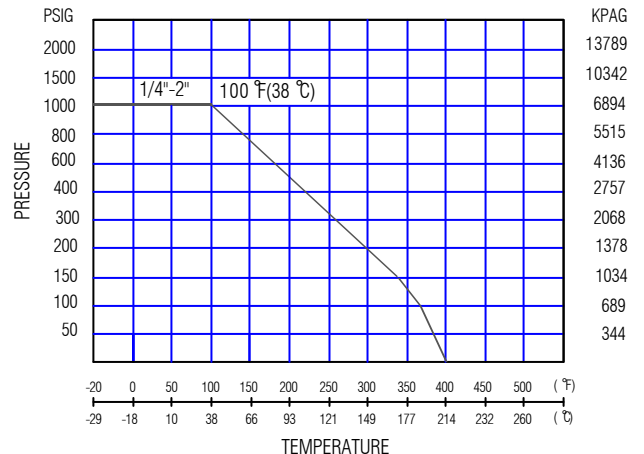
G1

- ONE PIECE BODY
- REDUCED PORT
- NPT THREADS TO ANSI B1.20.1
- LOCKING LEVER HANDLE
- RING LOCK WITH 1/4" & 3/8"
- LATCH LOCK WITH 1/2" TO 2"
- FLOATING BALL
- 1000 P.S.I. W.O.G. 1/4"-2"



		DIMENSIONS					CV FACTOR	WEIGHTS KGS/LBS
SIZE		(mm/in)	(mm/in)	(mm/in)	(mm/in)	(mm/in)		
8	1/4"	4.60	17.0	40.5	34.0	77.0	1.5	0.072
		0.181	0.669	1.594	1.336	3.031		0.158
10	3/8"	6.80	21.5	48.0	35.5	85.0	3.5	0.112
		0.268	0.846	1.890	1.398	3.346		0.246
15	1/2"	9.20	26.0	57.0	43.0	98.0	5.7	0.208
		0.362	1.024	2.244	1.693	3.858		0.458
20	3/4"	12.5	32.0	59.0	48.5	98.0	10	0.271
		0.492	1.260	2.323	1.99	3.858		0.596
25	1"	16.0	38.0	70.54	60.0	107.0	16	0.428
		0.630	1.496	2.777	2.362	4.212		0.942
32	1-1/4"	20.0	49.0	77.5	61.5	107.0	25	0.705
		0.787	1.929	3.051	2.421	4.212		1.551
40	1-1/2"	24.5	52.5	82.5	70.5	135.0	40	0.826
		0.965	2.067	3.248	2.776	5.315		1.817
50	2"	32.0	66.0	99.3	83.0	143.0	62	1.380
		1.260	2.598	3.909	3.268	5.630		3.036

PRESSURE-TEMPERATURE RATING



DRAWING NO. LAI0121

REVISION NO. B0