

GREAT SEQUOIA CORP.

3F, NO. 57, FU-HSING NORTH ROAD, TAIPEI, TAIWAN

TEL: 886-2--2771-0164

FAX: 886-2--2773-3342

Website: www.sequoia.com.tw

E-MAIL: sequoia@ms10.hinet.net

G3 B.W.

THREE PIECE BODY

FULL PORT

BUTT-WELD ENDS TO ANSI B16.25

BLOWOUT PROOF STEM

ADJUSTABLE PACKING NUT

LOCKING LEVER HANDLE

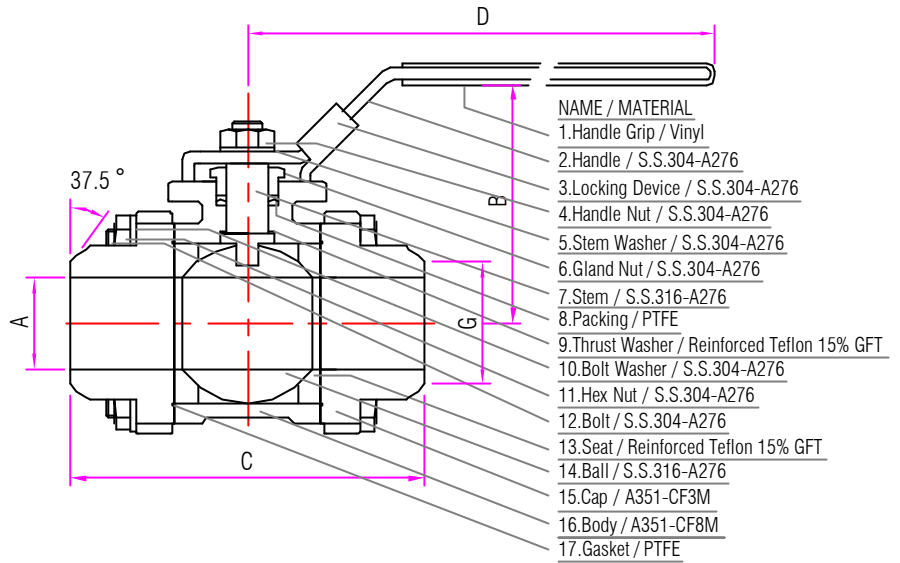
READILY ADAPTS TO

AUTOMATION

FLOATING BALL

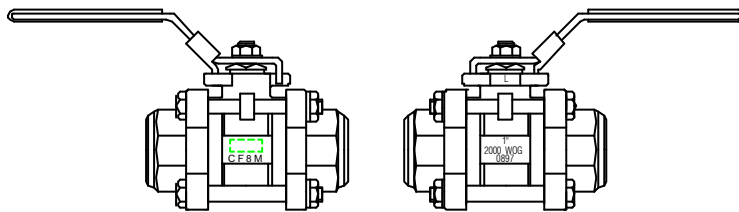
2000 P.S.I. W.O.G. 1/4"-1"

1500 P.S.I. W.O.G. 1-1/4"-3"

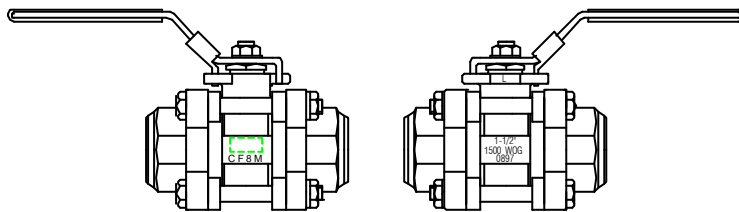


NAME / MATERIAL

- 1.Handle Grip / Vinyl
- 2.Handle / S.S.304-A276
- 3.Locking Device / S.S.304-A276
- 4.Handle Nut / S.S.304-A276
- 5.Stem Washer / S.S.304-A276
- 6.Gland Nut / S.S.304-A276
- 7.Stem / S.S.316-A276
- 8.Packing / PTFE
- 9.Thrust Washer / Reinforced Teflon 15% GFT
- 10.Bolt Washer / S.S.304-A276
- 11.Hex Nut / S.S.304-A276
- 12.Bolt / S.S.304-A276
- 13.Seat / Reinforced Teflon 15% GFT
- 14.Ball / S.S.316-A276
- 15.Cap / A351-CF3M
- 16.Body / A351-CF8M
- 17.Gasket / PTFE



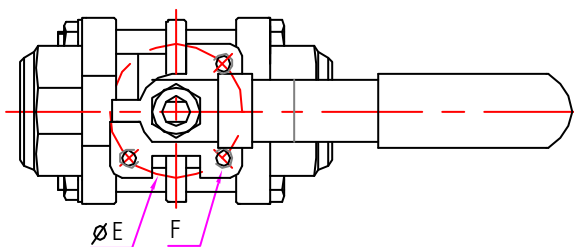
SIZES 1/4" TO 1-1/4" BODY STYLE



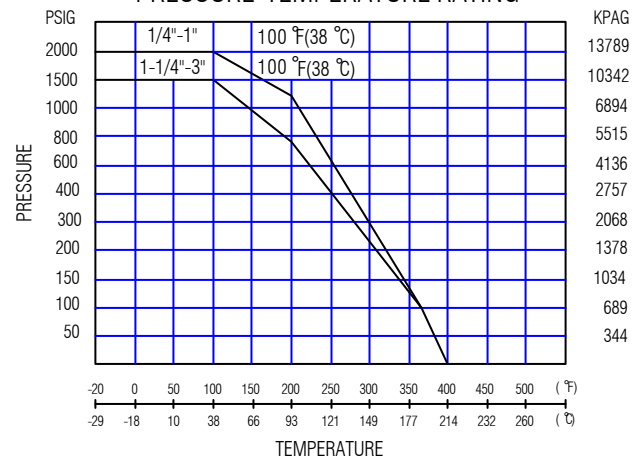
SIZES 1-1/2" TO 3" BODY STYLE

DIMENSIONS

| SIZE | (mm/in) | | | | | | | CV FACTOR | WEIGHTS KGS/LBS |
|-----------|---------|-------|-------|-------|-------|----|-------|-----------|-----------------|
| | A | B | C | D | E | F | G | | |
| 8 1/4" | 9.5 | 67 | 60 | 120 | 36 | M6 | 15.5 | 10 | 0.440 |
| | 0.374 | 2.638 | 2.362 | 4.724 | 1.417 | | 0.610 | | 0.968 |
| 10 3/8" | 9.5 | 67 | 60 | 120 | 36 | M6 | 18 | 10 | 0.430 |
| | 0.374 | 2.638 | 2.362 | 4.724 | 1.417 | | 0.709 | | 0.946 |
| 15 1/2" | 15 | 68.5 | 70 | 120 | 36 | M6 | 22 | 26 | 0.630 |
| | 0.591 | 2.697 | 2.756 | 4.724 | 1.417 | | 0.866 | | 1.386 |
| 20 3/4" | 20 | 75 | 76 | 139 | 42 | M6 | 28 | 50 | 0.924 |
| | 0.787 | 2.953 | 2.992 | 5.472 | 1.653 | | 1.102 | | 2.033 |
| 25 1" | 25 | 79 | 92 | 139 | 42 | M6 | 33.5 | 68 | 1.210 |
| | 0.984 | 3.110 | 3.622 | 5.472 | 1.653 | | 1.319 | | 2.662 |
| 32 1-1/4" | 32 | 88.5 | 105 | 193 | 50 | M8 | 41 | 120 | 1.940 |
| | 1.260 | 3.484 | 4.134 | 7.598 | 1.968 | | 1.614 | | 2.068 |
| 40 1-1/2" | 38 | 94.5 | 120 | 193 | 70 | M8 | 49 | 170 | 2.811 |
| | 1.496 | 3.720 | 4.724 | 7.598 | 2.756 | | 1.929 | | 6.184 |
| 50 2" | 50.5 | 107 | 138 | 193 | 70 | M8 | 61.0 | 360 | 4.783 |
| | 1.988 | 4.213 | 5.433 | 7.598 | 2.756 | | 2.402 | | 10.523 |
| 65 2-1/2" | 65 | 129.5 | 170.5 | 244 | 102 | M8 | 76 | 510 | 8.700 |
| | 2.559 | 5.098 | 6.713 | 9.606 | 4.016 | | 2.992 | | 19.140 |
| 80 3" | 78 | 139.5 | 191 | 244 | 102 | M8 | 89 | 900 | 13.505 |
| | 3.071 | 5.492 | 7.520 | 9.606 | 4.016 | | 3.504 | | 29.711 |



PRESSURE-TEMPERATURE RATING



DRAWING NO. LAI0126

REVISION NO. B0